

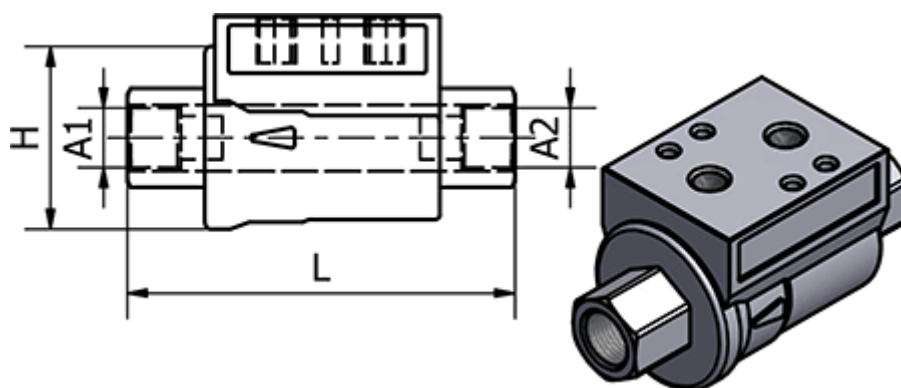
Data Sheet



Article number: 586351921

Description: Valve 351.921, G 3/8" - G 3/8"
Thread/Thread

Measures



Connecting A1	= G 3/8"
Connecting A2	= G 3/8"
H	= 46
L	= 98
Max. Operating Pressure	= 10 bar
Seals	= FKM